

**Electrical Specifications:**

1. Inductance At 100 KHz, 100 mV 8mADC Blas: 350 uH Min.
2. Leakage Inductance 0.3 uH Max, @100KHz 100mV
3. Insertion Loss: 1.1 dB Max. @ 1-100 MHz
4. Return Loss: 18dB Min. @ 1-30MHz  
16dB Min. @ 30-60MHz  
12dB Min. @ 60-80MHz
5. Cross Talk: 1-100MHz 30dB Min.
6. Common Mode Rejection Ratio: 30dB Min. @1-100MHz
7. Isolation Voltage @60Hz:1500Vrms (Input To Output) 60 Seconds

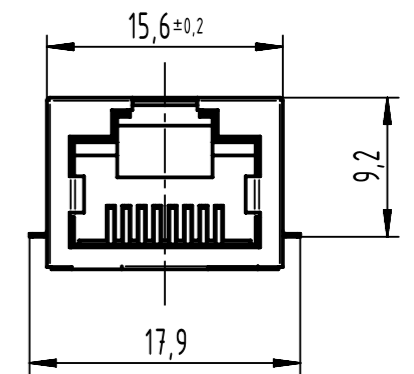
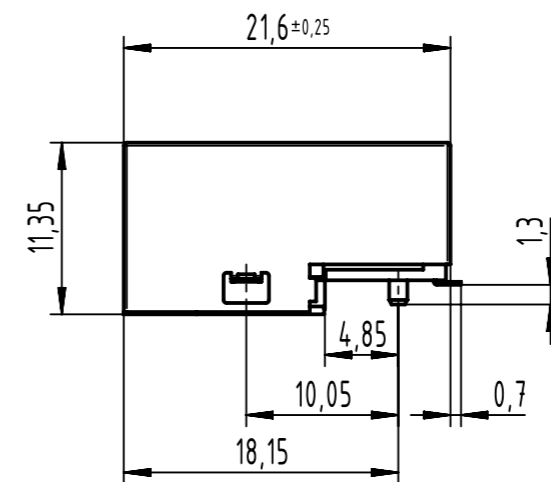
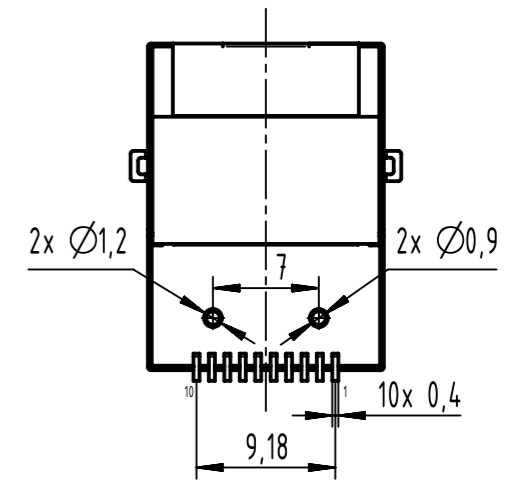
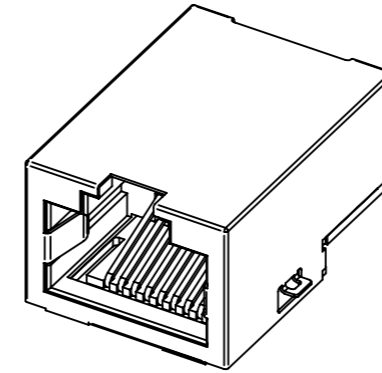
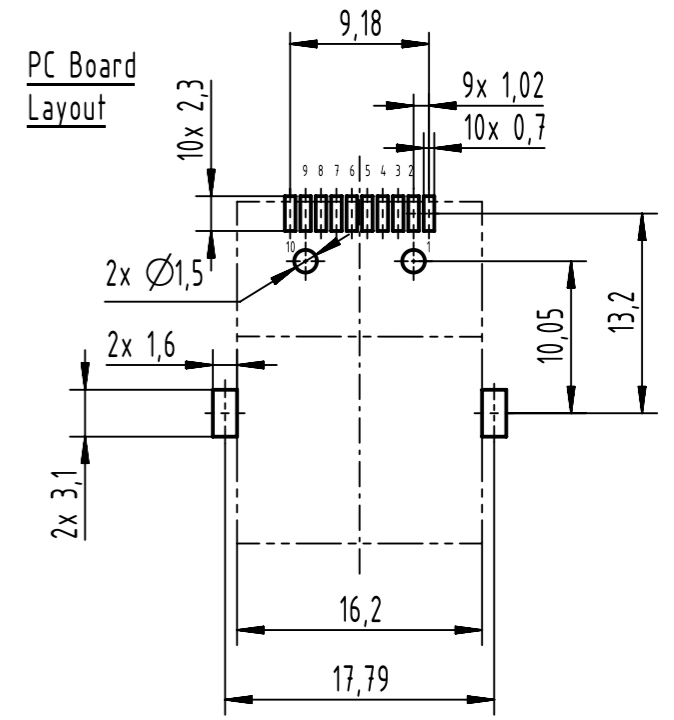
**Mechanical:**

1. Housing Material: POLYESTER or HIGH Temp. UL94V-0
2. Contact Material: Phosphor Bronze T=0.3mm
3. Plating: Gold Plating Over Nickel
4. Operating Life: 750 Cycles Min.
5. Shield Material: 0.20mm THICKNESS BRASS Plating Nickel

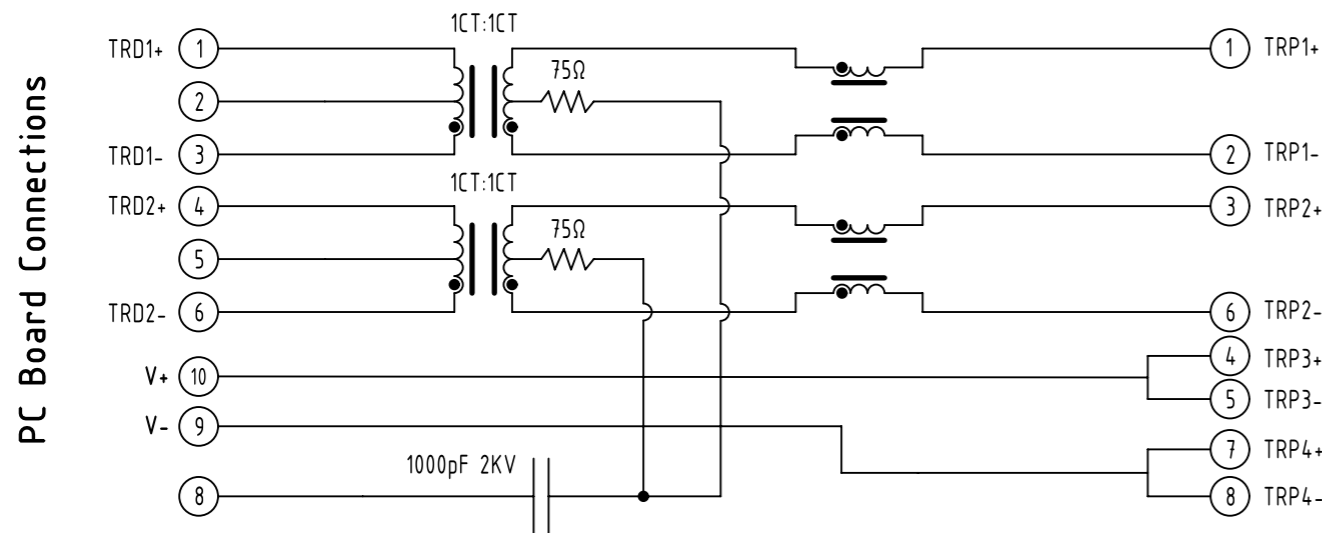
**Environmental:**

1. Storage: -40°C to +85°C
2. Operation: -40°C to +85°C

Mates With Modular Plug According To TIA-1096-A



**SCHEMATIC**



RJ45 Connector

	All Dimensions in mm Original Size DIN A3		Scale 2:1	Free size tol.		Ref.
	All rights reserved Department EL PD		Created by PREOTU	Inspected by PRIESTER	Standardisation 302077	Date 2021-04-28
Title <b>RJI RJ45 jack 10/100 Mbit CE PoE</b>		State Final Release		Doc-Key / ECM-Nr. 100688930/UGD/001/C 500000193166		Rev. <b>C</b>
HARTING D-32339 Espelkamp		Type <b>TB</b>	Number <b>09455511167</b>		Page 1/1	